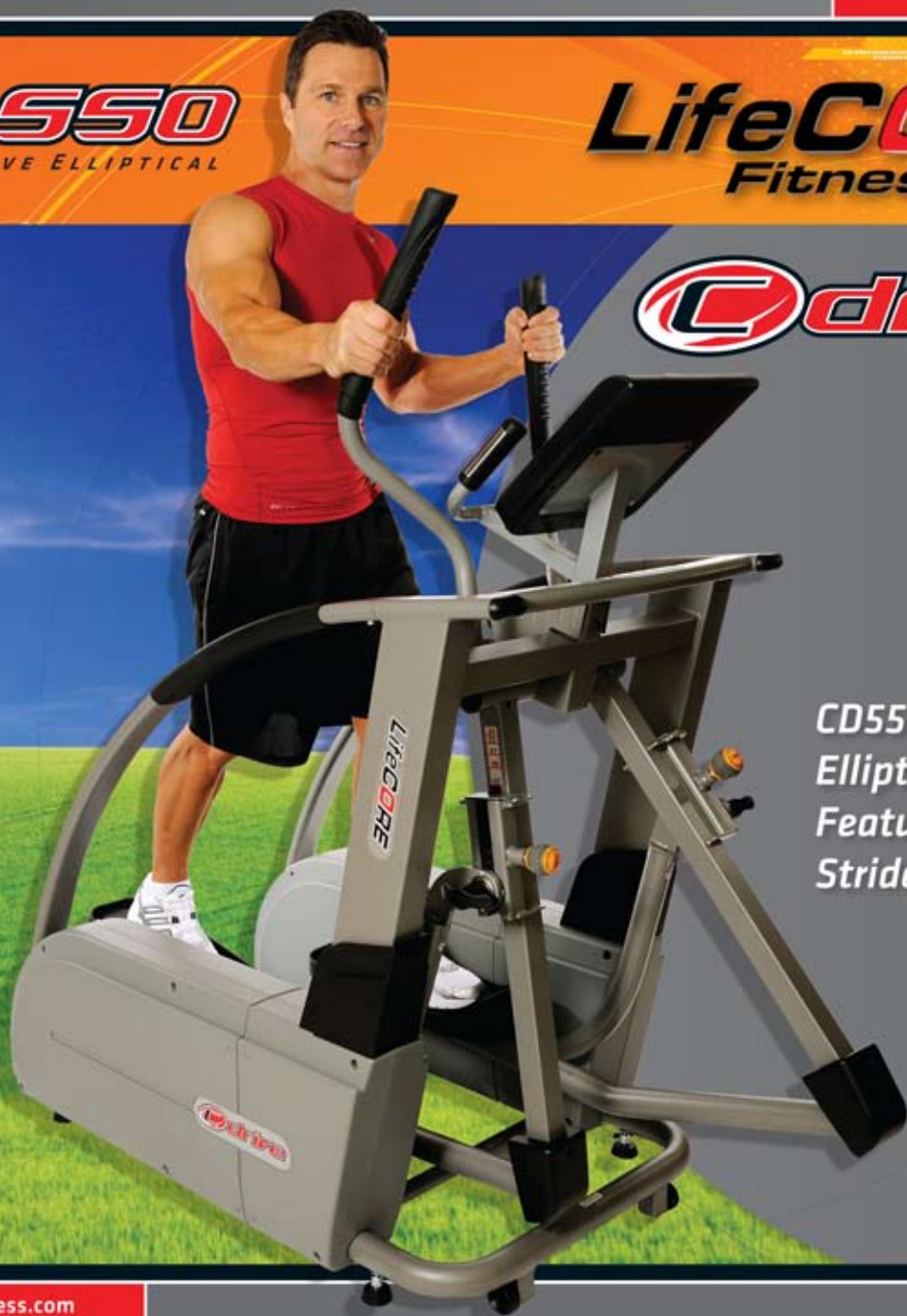


CD550
CENTER DRIVE ELLIPTICAL

LifeCORE
Fitness

drive



*CD550 Center Drive
Elliptical Trainer
Featuring 17"-25"
Stride Adjustment*

LifeCORE Fitness

Thank you so much for your interest in LifeCORE Fitness! Whether you are a novice exerciser or a competitive athlete, we wish you the best on your journey toward better health and fitness!

LifeCORE Fitness Inc is located in Vista, California, just a few minutes north of San Diego. With nearly two decades in the fitness industry, our biggest asset as a manufacturer is our experience as fitness retailers. In the early 90's we started out as owner/operators of our very own fitness retail stores. We conduct business now the same way we did then—with the consistent goal of impeccable customer service.

The management/development team at LifeCORE Fitness spent many years on the showroom floor, developing relationships with you, the consumer. We listened to your needs, your health and fitness goals, your likes and dislikes about certain products and then we were there to service the product after the sale. This gave us incredible insight and experience that goes into the development of every LifeCORE Fitness product.

Our mission is and always will be to make the highest quality equipment that is easy to use, durable and a great value to the consumer. We also understand the importance of customer service after the sale. We've gone through painstaking efforts to build the most durable equipment on the market, backed by the best warranty on the market, which is backed by our outstanding customer service department! Stop by a retailer near you and experience the LifeCORE Difference!

Thank you for your support.

“We Fit Your Life”



LifeCORE Fitness Headquarters located in Vista, California

drive
CENTER DRIVE ELLIPTICAL

Taking your fitness to a whole level just got easier with the Center Drive by LifeCORE Fitness. The Center Drive was developed with several key factors in mind. First was to incorporate a more stable exercise platform and secondly, to provide the latest workout technologies. The Center Drive is not just a game changer for your workout programs, it's a full body changer!



LifeCORE is consistently ranked as one of the best products available with an unsurpassed warranty program offering 3, 5, or 7 years protection. When you commit to LifeCORE we commit to YOU!



LifeCORE developed the Center Drive Elliptical to provide the total "balanced" workout.

Center Drive Technology Features Compact Frame, Close Pedal Spacing, and the Most Comfortable Walking Stride. Ellipticals in general, support a great workout without the impact of most cardio equipment.

The C-Drive elliptical takes it a step further by positioning your body perfectly upright throughout its motion and essentially providing a better, more comfortable workout, and ultimately greater results!

CD550



01 COMFORTABLE MECHANICS

Cushioned Handle Bars With Large Grips Provide Extra Comfort and Full Range of Arm Motion. Oversized Foot Pads Provide Extra Stability, Support, and Comfort

02 THE PERFECT STRIDE

With Adjustable Stride from 17"-25" Ensuring a Perfect Workout Every Time

03 BALANCED DESIGN

Center Drive Delivers a Balanced Workout Through its Unique Design

04 COMPACT FRAME

Compact 46" Frame to Place Anywhere in Your Home



05 MOBILITY

Built-In Oversized Transportation Wheels For Added Mobility

LifeCORE
Fitness

Take complete control of your workout programs and fitness goals with the Center Drive LED display console

06 PROGRAMMABLE CONSOLE

- 20 levels of Resistance
- Challenging Preset Programs
- 4 Heart Rate Programs
- Target, 55%, 75%, & 90%
- 2 Custom Course Settings
- Scrolling Alpha-Numeric Message Center
- Vivid, Bright LED Display
- Contact Heart Rate Handle Bars
- Chest Strap Included

Easy to Read Console Information

Visual LED Workout Progress Keeps You Focused on Your Workout

Contact Heart Rate Handle Bar Grips

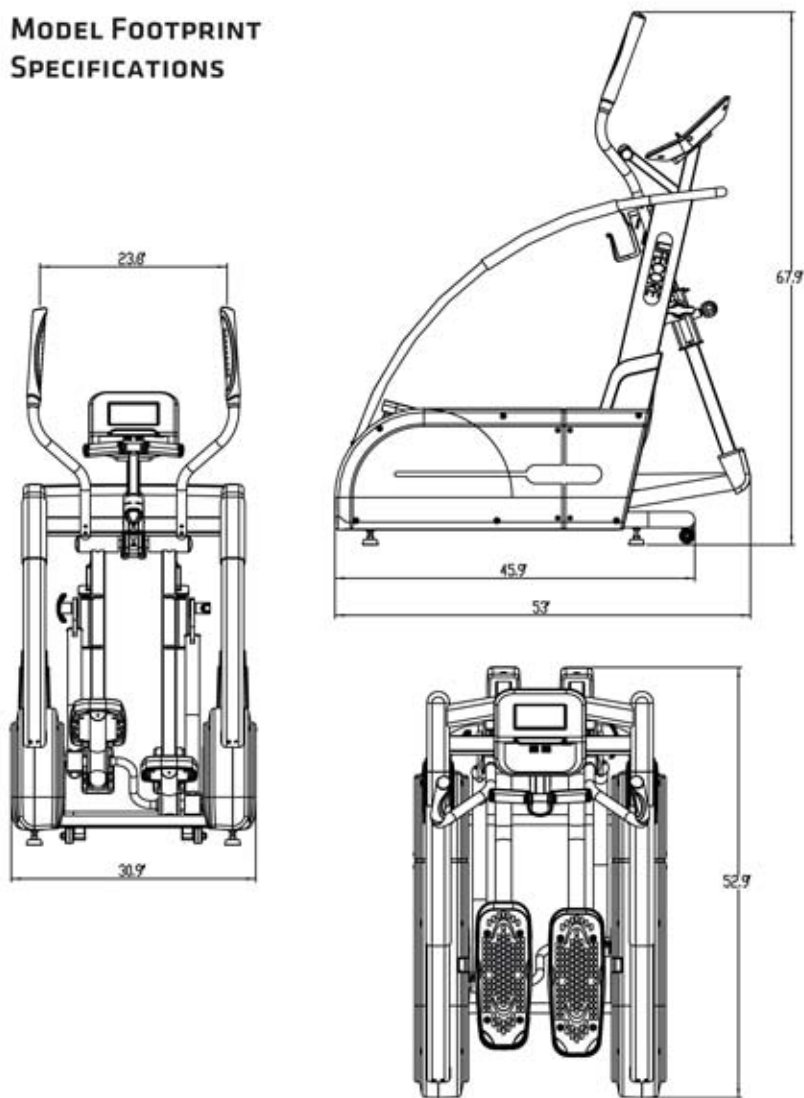


07 DESIGNED TO FIT YOUR LIFESTYLE

- Adjustable Stride Length 17"-25"
- Fits Many Different Users
- Compact 46" Frame
- Warranty: 5 Years Parts, 1 Year Labor
- Life-Time Frame
- Dimensions: Length: 46In,
- Width: 31In,
- Height: 68"
- Weight: 262.1Lbs
- User Weight Capacity: 300Lbs

CD550
CENTER DRIVE ELLIPTICAL

**MODEL FOOTPRINT
SPECIFICATIONS**



LifeCORE
Fitness

OPTIONAL ACCESSORIES



LIFECORE WATER BOTTLE



LIFECORE OVAL EXERCISE MAT



5K CHEST STRAP INCLUDED

PRODUCT COMPARISON GUIDE

Key Features	CD550
Variable Stride Length	17" - 25"
<i>(Ensures the proper stride length for multiple users)</i>	
Compact Space Saving Frame	■
Cushioned Foot Pads	■
Low Step-Up Height	■
Close Pedal Spacing	■
Contact Heart Rate Handle Bars	■
Integrated Transport Wheels	■
Magnetic Friction-Free Braking System	■
Water Bottle Holder	■
Sealed Bearings on All Pivot Points	■
Flywheel Weight	24lbs
Console Display Features	
Levels of Resistance	20
Featured Programs	■
<i>Random</i>	
<i>Hill</i>	
<i>Glute Blaster</i>	
Interval Training Programs	■
<i>Interval</i>	
<i>Interval Mountain</i>	
<i>Speed Training Interval</i>	
Heart Rate Training Programs	■
<i>Target HR</i>	
<i>HR Cardio 80%</i>	
<i>HR Cardio 65%</i>	
<i>HR Hill</i>	
User Custom Course Settings	2
Vivid LED Display	■
Quick Start	■
Product Information	
Max User Weight	300lbs
Footprint	46"x31"x 68"
Product Weight	261.1lbs
Warranty	5yrs Parts / 1yr Labor

CD550
CENTER DRIVE ELLIPTICAL

LifeCORE
Fitness

www.lifecorefitness.com



drive

To Learn More About Our Award Winning Product
Range Visit LifeCORE's Comprehensive Website at
www.lifecorefitness.com

© 2011 by LifeCore Fitness.
All rights reserved.
(760) 599-4555
2575 Pioneer Ave Ste 101
Vista, CA 92081